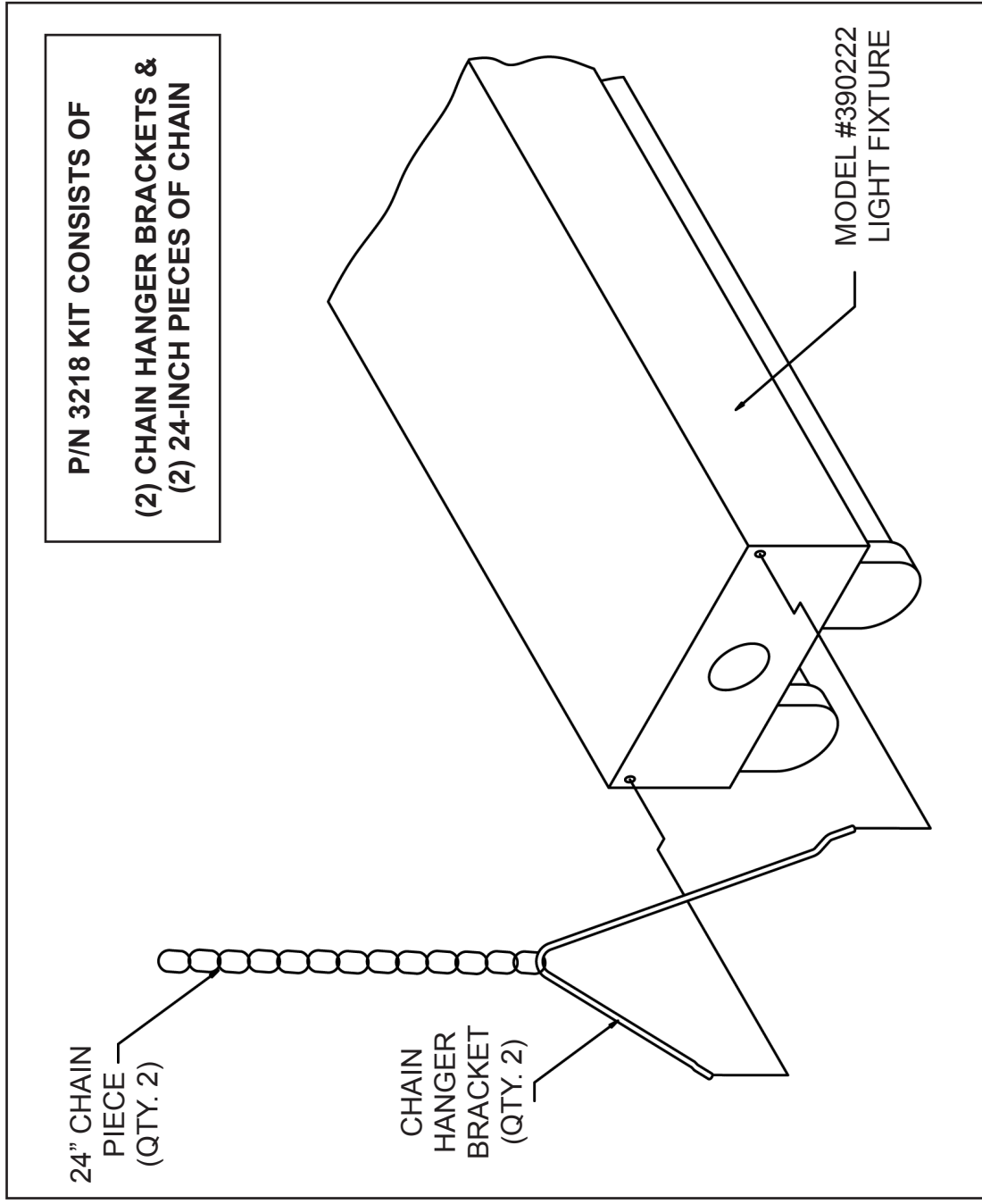


# INSTALLATION INSTRUCTIONS FOR GENERAL PURPOSE FLUORESCENT FIXTURES

Using *Optional Chain Hanging Kit (PN 3218)* for *Suspended in General (Non-Classified) Area Lighting*:



1. Slide one end of chain onto chain hanger bracket.
2. Install chain hanger bracket into holes in fixture (see drawing).
3. Repeat steps 1 & 2 on opposite end of fixture.
4. Using caution, attach chain ends to suitable support structure in desired location.
5. This fixture should be installed by qualified technicians in strict accordance with the National Electrical Code and any local requirements.

**NOTE:** See *wiring diagram on ballast for proper wiring*.

# INSTALLATION INSTRUCTIONS FOR LDPI P/N 390222-4-2L

## 4 Ft., 2-Lamp Open-Face Fixture T-8 32 Watt

