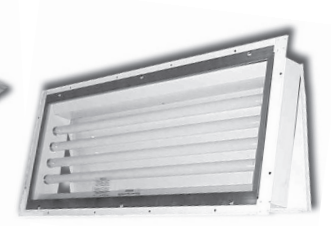


The 260 and 261 Series is a product designed specifically for Paint Spray Booths. These 4 lamp 4' fixtures are available in 32 watts. The 260 Series allows for both Front and Rear access using a paint spray cutoff switch when the front door frame is opened. The 261 Series is a rear access only fixture and does not require paint spray cutoff. Must be mounted hinge side up. LAMPS SOLD SEPARATELY.



Model 260: Front and rear access



Model 261: Rear access only



SERIES	MODEL #	DESCRIPTION	OPTIONS
260	390260-3546	T8 32W, 4 Ft.	EM: Emergency Battery Backup - T8 5901: 8 Ft. 3-wire whip (261) 5902: 8 Ft. 5-wire whip (260)
	390260347-3125	T8 32W, 4 Ft.	
	390260-6747	T8 32W HLO, 4 Ft.	
261	390261-3546	T8 32W, 4 Ft.	
	390261347-3125	T8 32W, 4 Ft.	
	390261-6747	T8 32W HLO, 4 Ft.	

LISTINGS

UL 844
 CSA 22.2 No. 137.0
 Paint Spray Listed
 UL 1598 Wet / Damp
 CSA 22.2 No. 250.0
 Class I D2 Groups A,B,C,D T3C 160°C
 Class II D2 Groups F,G T3C 160°C
 40°C ambient rating

FEATURES

20 gauge steel construction with white powder coat housing which creates a durable, highly reflective finish.
 Housing styles for either front or rear accessibility in the Series 260, or rear access only in the Series 261.

LENS

3/16" clear tempered glass.

ELECTRICAL

Paint spray cutoff switch for the front door frame access of the 260 Series
 Available in 32 watts with T8 lamps
 Voltages of 120, 277 and 347 Volts at 50/60Hz

OPTIONS

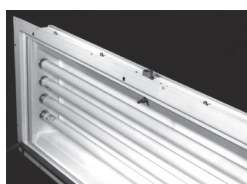
EM: Emergency battery backup ballast (ETL US only)
 120 or 277V - MUST SPECIFY
 Wire whip 8 Ft. - 5901: 3-wire (261) or 5902: 5-wire (260)
 Mounting Kits - ordered separately
 Panel stiffener kit #1704 (fits 18 gauge panels only)

NOTE

Normally open magnetic switches are intended to be used to trigger a relay (furnished by others) which disables the paint system. Because of the small capacity of the switch a solid state relay is recommended. It may be desired by others to utilize a separate power supply to segregate the relay (furnished by others) from the lighting power supply. The magnetic switch IS NOT designed to directly control light operation! The magnetic switch is rated for 10 watts resistive at a maximum of 300 VAC.

CAUTION

Overloading the switch circuits WILL cause failure.
 LDPI, Inc. recommends having a certified electrician/engineer review loads to ensure that overloading of switch does not occur.



Interlock Microswitch
 Model 260

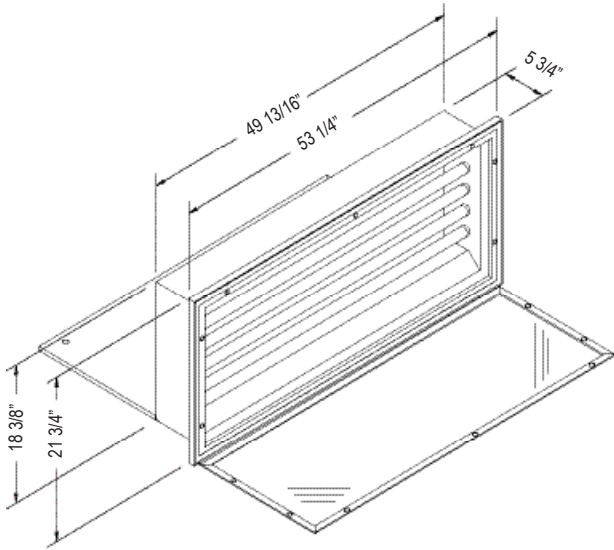
260-261

HAZARDOUS - BOOTH

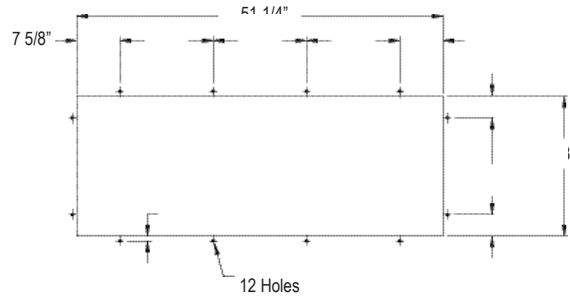
Industrial • Paint and Powder Booths • Blast Booths • Prep, Inspection, Sanding Areas



DIMENSIONS

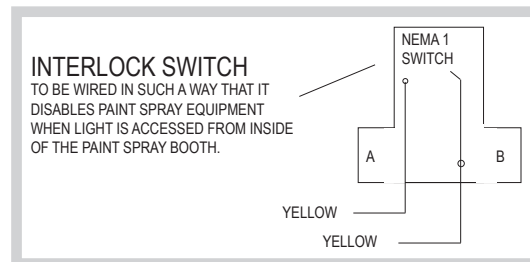
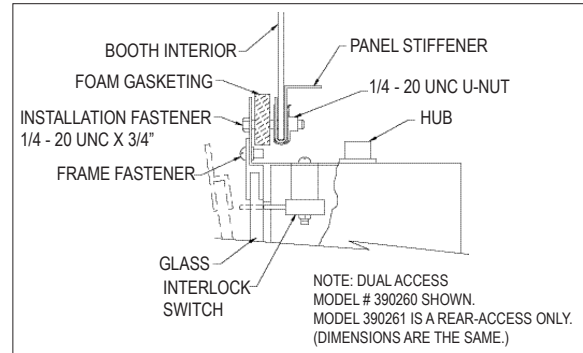
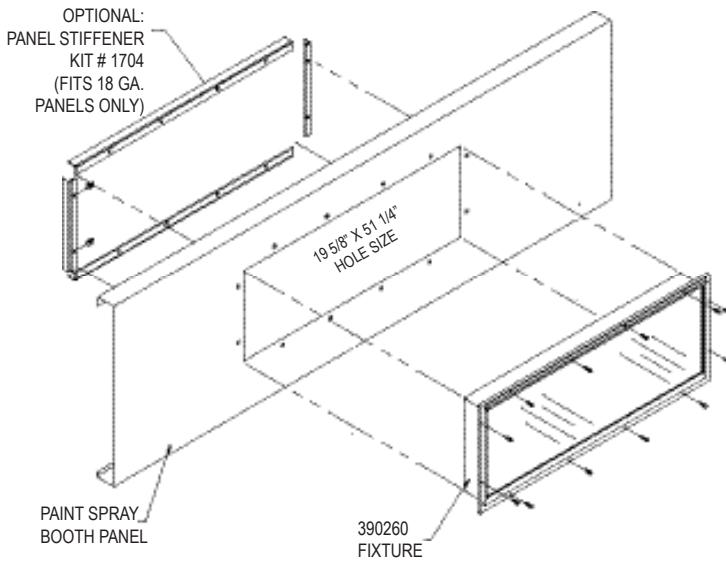


Rear Access Panel
Models 260 and 261



INSTALLATION

Part Number: 1704 Panel Stiffener and Interlock Switch



IMPORTANT:

Normally open magnetic switches are intended to be used to trigger a relay (furnished by others) which disables the paint system. Because of the small capacity of the switch, a solid state relay is recommended. It may be desired by others to utilize a separate power supply to segregate the relay (furnished by others) from lighting power supply. The magnetic switch is rated for 10 watts (resistive) at a maximum of 300 VAC. The magnetic switch is NOT designed to directly control light operation.

CAUTION: Overloading the switch circuits will cause failure.

LDPI® recommends having a certified electrician/engineer review circuit loads to insure that overloading of switch does not occur.