

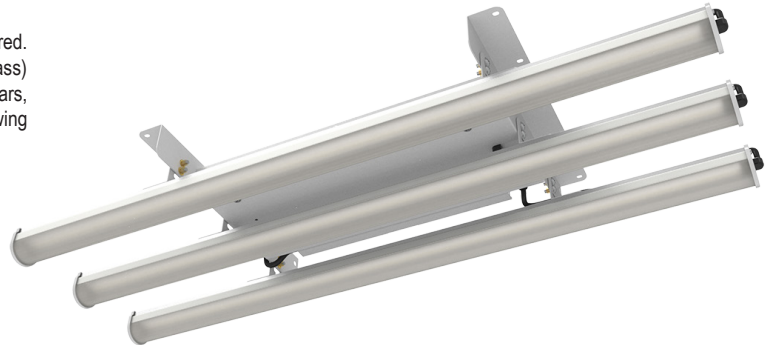


LE158S

ORDINARY LOCATION - SURFACE MOUNT

Industrial • Booth Lighting • Task Lighting • Commercial & Institutional Facilities

The LE158S is listed for ordinary locations where overhead lighting is required. This product is ideal for industrial, task, and paint booth (behind the glass) applications. Fixture size and output is determined by number of LED light bars, options range from 1 to 4. Each LED light bar is individually adjustable allowing for optimal illumination of any task.



1 SERIES	2 SOURCE*	3 VOLTAGE	4 DIMMING*	5 CCT	6 LENS	7 LENGTH	8 ROWS
LE158S	S: Standard H: High *See Performance Table	V1: 120-277VAC (50/60Hz)	Blank: None D1: 0-10V (See Table A) D2: DALI (See Table B) *Cabling Ordered Separately	3: 3,000K 4: 4,000K 5: 5,000K	D: Diffused	2: 2 Ft. 4: 4 Ft. 6: 6 Ft. 8: 8 Ft.	1: 1 Row 2: 2 Row 3: 3 Row 4: 4 Row
9 THROUGH-FEED (TF)		10 POWER CORD (Not available w/ Through-feed)			11 OPTIONS		
Blank: No Through-Feed Wiring TF: Through-Feed Wiring (Requires H or T connector) *See through feed cable requirements		Blank: No cord. Field wiring required. CP0: Cord 6 Ft. / Plug: None CP1: Cord 6 Ft. / Plug: NEMA L5-15P CP2: Cord 6 Ft. / Plug: NEMA L7-15P CP3: Cord 6 Ft. / Plug: NEMA 5-15P			EM: Battery/Driver Backup (90Min.) UL924** SP: 10Kv Surge Protector WC: Wireless Control OC: Occupancy Sensor **EM: 2FT & 4FT Single row fixtures contain larger housing - See dimension table		
Note: - Quantity of power cords is determined by through-feed							

CERTIFICATIONS

UL1598 / CSA 22.2 No.250.0 (Ordinary)
Lumen Maintenance (L70): >60,000 hrs. (reported)
CRI >80
-40°C to 40°C Ambient Rating

CONSTRUCTION

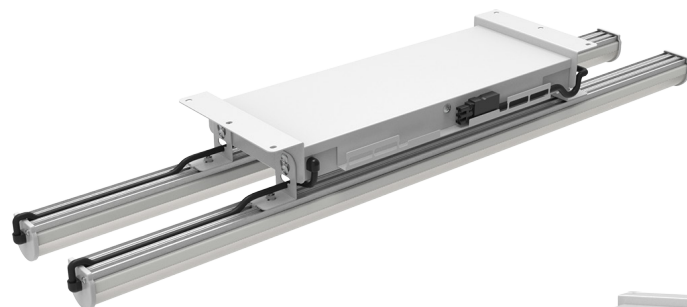
Combination of steel and aluminum
Powder coat white finish (standard)
Diffused acrylic impact resistant lens
Weights: See dimensions table

ELECTRICAL

120-277VAC
Power cords: 16/3, 600V
0-10V or DALI Dimming available

FEATURES

Sleek
Surface Mount
Cable Mount Ready
(Min. Clearance of 2" Required)
Adjustable module angle (±45°)



±45° LED module adjustment to direct the light. Adjustments are made in the field.



LE158S

ORDINARY LOCATION - SURFACE MOUNT

Industrial • Booth Lighting • Task Lighting • Commercial & Institutional Facilities



ELECTRICAL PERFORMANCE

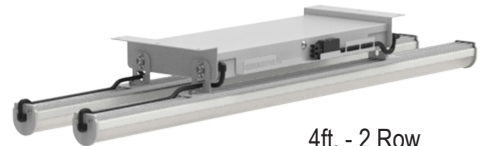
Row	Source	2 Ft. Fixture		4 Ft. Fixture		6 Ft. Fixture		8 Ft. Fixture	
		Watts (W)	Input Current 120-277VAC (A)	Watts (W)	Input Current 120-277VAC (A)	Watts (W)	Input Current 120-277VAC (A)	Watts (W)	Input Current 120-277VAC (A)
1 Row	S	21	0.18 - 0.08	41	0.35 - 0.15	62	0.53 - 0.23	82	0.70 - 0.30
	H	32	0.27 - 0.12	63	0.53 - 0.23	95	0.80 - 0.35	126	1.07 - 0.46
2 Row	S	41	0.34 - 0.15	82	0.68 - 0.30	123	1.03 - 0.44	164	1.37 - 0.59
	H	63	0.53 - 0.23	126	1.05 - 0.45	189	1.58 - 0.68	252	2.10 - 0.91
3 Row	S	62	0.52 - 0.22	123	1.03 - 0.45	185	1.55 - 0.67	246	2.07 - 0.90
	H	95	0.79 - 0.34	189	1.58 - 0.69	284	2.38 - 1.03	378	3.17 - 1.37
4 Row	S	82	0.68 - 0.30	164	1.37 - 0.59	246	2.05 - 0.89	328	2.73 - 1.18
	H	126	1.05 - 0.45	252	2.10 - 0.91	378	3.15 - 1.36	504	4.20 - 1.82

LUMEN PERFORMANCE

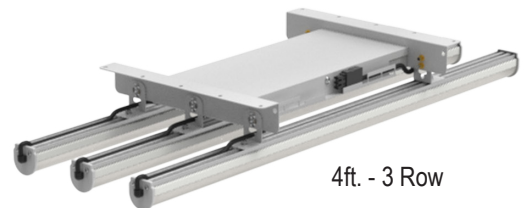
Row	Source	CCT	Lumen Values (Diffused Lens)			
			2Ft.	4Ft.	6Ft.	8Ft.
1 Row	S	3,000K	2580	5150	7730	10300
		4,000K	2630	5260	7890	10510
		5,000K	2660	5310	7970	10620
	H	3,000K	3720	7440	11170	14890
		4,000K	3800	7600	11400	15200
		5,000K	3840	7680	11510	15350
2 Row	S	3,000K	5150	10300	15450	20600
		4,000K	5260	10510	15770	21030
		5,000K	5310	10620	15930	21240
	H	3,000K	7440	14890	22330	29780
		4,000K	7600	15200	22790	30390
		5,000K	7680	15350	23030	30700
3 Row	S	3,000K	7730	15450	23180	30900
		4,000K	7890	15770	23660	31540
		5,000K	7970	15930	23900	31860
	H	3,000K	11170	22330	33500	44670
		4,000K	11400	22790	34190	45590
		5,000K	11510	23030	34540	46050
4 Row	S	3,000K	10300	20600	30900	41210
		4,000K	10510	21030	31540	42060
		5,000K	10620	21240	31860	42480
	H	3,000K	14890	29780	44670	59560
		4,000K	15200	30390	45590	60790
		5,000K	15350	30700	46050	61400



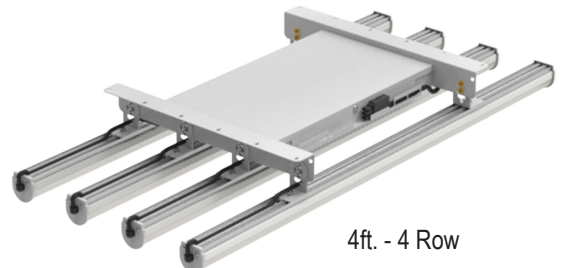
4ft. - 1 Row



4ft. - 2 Row



4ft. - 3 Row



4ft. - 4 Row



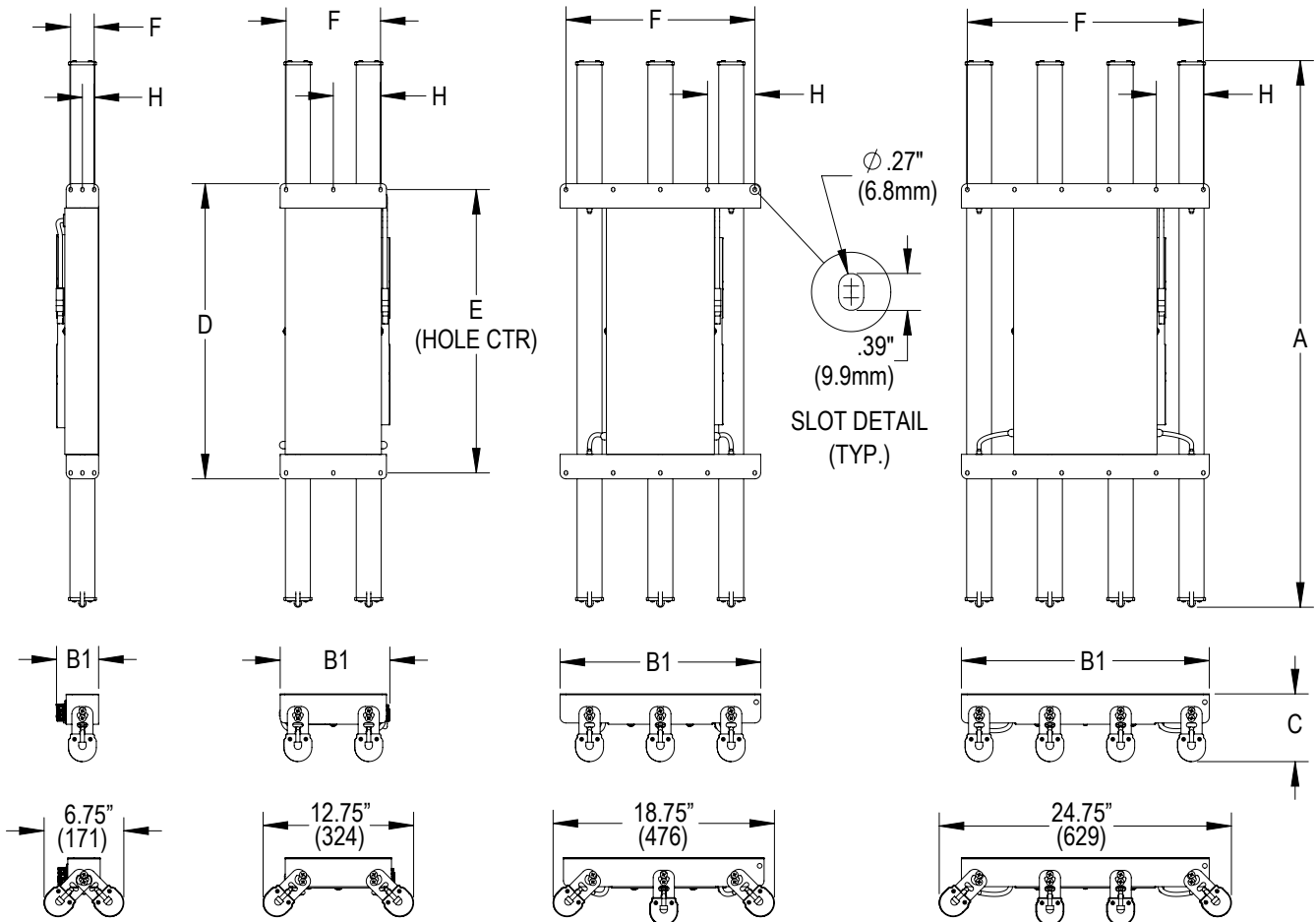


LE158S

ORDINARY LOCATION - SURFACE MOUNT

Industrial • Booth Lighting • Task Lighting • Commercial & Institutional Facilities

DIMENSIONS



Fixture	# of rows	Nominal Dimensions in. (mm)			Weight (lbs.)
		A	B1	C	
2 Ft.	1	23.19" (589)	3.63" (92)	5.75" (146)	9
	2		9.25" (235)		14
	3		17.0" (432)		19
	4		21.0" (533)		23
4 Ft.	1	46.38" (1,178)	3.63" (92)	6.0" (152)	14
	2		9.25" (235)		21
	3		17.0" (432)		28
	4		21.0" (533)		35
6 Ft.	1	69.56" (1,767)	6.25" (159)	6.0" (152)	21
	2		12.75" (324)		32
	3		17.75" (451)		42
	4		21.75" (552)		53
8 Ft.	1	91.0" (2,311)	6.25" (159)	6.0" (152)	30
	2		12.75" (324)		45
	3		17.75" (451)		60
	4		21.75" (552)		74

EM Fixture	# of rows	Emergency Fixture Dimensions			Weight (lbs.)
		A	B1	C	
2 Ft.	1	23.19" (589)	5.9" (150)	5.75" (146)	10
4 Ft.		46.38" (1,178)			15

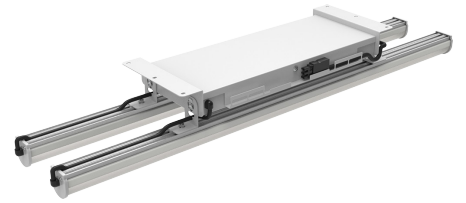
Mounting Dimensions					
# of rows	Nominal Dimensions in. (mm)				
	D	E	F	G	H
1	25.0" (635)	24.0" (610)	2.0" (51)	2.0" (51)	1.0" (25)
2			8.0" (203)	8.0" (203)	4.0" (102)
3			16.0" (406)	8.0" (203)	
4			20.0" (508)	12.0" (305)	



LE158S

ORDINARY LOCATION - SURFACE MOUNT

Industrial • Booth Lighting • Task Lighting • Commercial & Institutional Facilities



POWER / CABLING (NO CORD "BLANK")

Conduit Connection

1/2" MC Set screw connector
No Cord / Field Wiring Required

D1 (0-10V Dimming)

Field Wiring Required.
Dimming cables ordered separately

POWER / CABLING (CPO CORD OPTION)

No Dimming / No Through-Feed

6 Ft. Cord (16/3), Blunt end

POWER / CABLING (CP1 TO CP3 CORD / PLUG OPTIONS)

CP1 - CP3 Cord	Cord: CP1	Cord: CP2	Cord: CP3
6 Ft. Cord (16/3) with CP1 to CP3 specified plug	NEMA L5-15	NEMA L7-15	NEMA 5-15

THROUGH FEED CABLE REQUIREMENTS

Power cables (to power the first fixture in the series when through feed is used)		
Mfg #	Cord #	Description
17055	CP1	6 Ft. Cable, 14/3, 120V NEMA L5-15
17103	CP2	6 Ft. Cable, 14/3, 277V NEMA L7-15
17104	CP3	6 Ft. Cable, 14/3, 120V NEMA 5-15

Power / Cabling Instructions for Through-Feed

Through-Feed cables are required to link fixtures. Each series of fixtures will require a power source (cord). Number of fixtures that can be linked is 4. All cables and connectors ordered separately. Consult sales for more information.

Through-Feed with D1 Dimming

Power and / or Through-Feed

12 in. Cord (16/3) with 3-Pole Plug
H (17036) or T (17305) Connector required for each fixture

Through-Feed Cables (3-Pole)	
Part #	Length
17034-10	10 Ft.
17034-15	15 Ft.
17034-25	25 Ft.
17034-50	50 Ft.
17036	H Connector
17305	T Connector

Through-Feed Cables DALI	
Part #	Length
15975	10 Ft.
16281	15 Ft.
15976	25 Ft.
15977	50 Ft.
15978	100 Ft.
16099	H Connector
16217	T Connector

DALI

DALI cabling contains power and dimming in a single cable
H (16099) or T (16217) Connector required for each fixture

0-10V Dimming Cables	
Part #	Length
16350	9.8 Ft. (3 M)
16349	16.4 Ft. (5 M)
14772	32.8 Ft. (10 M)
16348	49.2 Ft. (15 M)