



LE158H

ORDINARY LOCATION - HANGING MOUNT

Industrial • Booth Lighting • Task Lighting • Commercial & Institutional Facilities

The LE158H is listed for ordinary locations where horizontal orientation of lighting is required. This product is ideal for task, and paint booth (behind the glass) applications. Fixture size and output is determined by number of LED light bars, options range from 1 to 4. Each LED light bar is individually adjustable allowing for optimal illumination of any task.

This fixture utilizes an easy mounting system. A "mounting bridge" is provided and is to be attached to the end user's structure. The fixture is then attached to the mounting bridge using the rigid hooks on the top of the fixture. A locking plate is then attached securing the fixture in place.



1 SERIES	2 SOURCE*	3 VOLTAGE	4 DIMMING*	5 CCT	6 LENS	7 LENGTH	8 ROWS
LE158H	S: Standard H: High *See Performance Table	V1: 120-277VAC (50/60Hz)	Blank: None D1: 0-10V (See Table A) D2: DALI (See Table B) *Cabling Ordered Separately	3: 3,000K 4: 4,000K 5: 5,000K	D: Diffused	2: 2 Ft. 4: 4 Ft. 6: 6 Ft. 8: 8 Ft.	1: 1 Row 2: 2 Row 3: 3 Row 4: 4 Row
9 THROUGH-FEED (TF)		10 POWER CORD (Not available w/ Through-feed)			11 OPTIONS		
Blank: No Through-Feed Wiring TF: Through-Feed Wiring (Requires H or T connector) *See through feed cable requirements * All fixtures containing TF are equipped with a 12in quick connect cable, cable type is dependent on dimming		Blank: No cord. Field wiring required. CP0: Cord 6 Ft. / Plug: None CP1: Cord 6 Ft. / Plug: NEMA L5-15P CP2: Cord 6 Ft. / Plug: NEMA L7-15P CP3: Cord 6 Ft. / Plug: NEMA 5-15P			EM: Battery/Driver Backup (90Min.) UL924 SP: 10Kv Surge Protector WC: Wireless Control OC: Occupancy Sensor		
Note: - Quantity of power cords is determined by through-feed							

CERTIFICATIONS

UL1598 / CSA 22.2 No.250.0 (Ordinary)
Lumen Maintenance (L70): >60,000 hrs. (reported)
CRI >80
-40°C to 40°C Ambient Rating

CONSTRUCTION

Combination of steel and aluminum
Powder coat white finish (standard)
Diffused acrylic impact resistant lens
Weights: See dimensions table

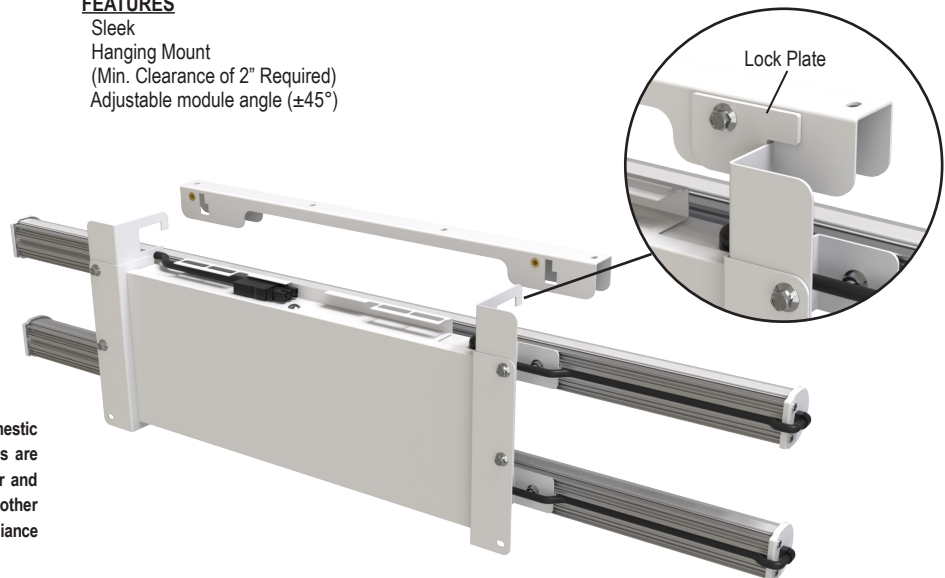
ELECTRICAL

120-277VAC
Power cords: 16/3, 600V
0-10V or DALI Dimming available

*These products are Manufactured in the USA with both domestic and imported components; not all fixture configurations are compliant. Contact LDPI Sales with specific part number and requirement - Build America, Buy America, TAA or any other federal procurement act for compliance confirmation. Compliance confirmation can take up to 3 days.

FEATURES

Sleek
Hanging Mount
(Min. Clearance of 2" Required)
Adjustable module angle ($\pm 45^\circ$)



LE158H

ORDINARY LOCATION - HANGING MOUNT

Industrial • Booth Lighting • Task Lighting • Commercial & Institutional Facilities



ELECTRICAL PERFORMANCE

Row	Source	2 Ft. Fixture		4 Ft. Fixture		6 Ft. Fixture		8 Ft. Fixture	
		Watts (W)	Input Current 120-277VAC (A)	Watts (W)	Input Current 120-277VAC (A)	Watts (W)	Input Current 120-277VAC (A)	Watts (W)	Input Current 120-277VAC (A)
1 Row	S	21	0.18 - 0.08	41	0.35 - 0.15	62	0.53 - 0.23	82	0.70 - 0.30
	H	32	0.27 - 0.12	63	0.53 - 0.23	95	0.80 - 0.35	126	1.07 - 0.46
2 Row	S	41	0.34 - 0.15	82	0.68 - 0.30	123	1.03 - 0.44	164	1.37 - 0.59
	H	63	0.53 - 0.23	126	1.05 - 0.45	189	1.58 - 0.68	252	2.10 - 0.91
3 Row	S	62	0.52 - 0.22	123	1.03 - 0.45	185	1.55 - 0.67	246	2.07 - 0.90
	H	95	0.79 - 0.34	189	1.58 - 0.69	284	2.38 - 1.03	378	3.17 - 1.37
4 Row	S	82	0.68 - 0.30	164	1.37 - 0.59	246	2.05 - 0.89	328	2.73 - 1.18
	H	126	1.05 - 0.45	252	2.10 - 0.91	378	3.15 - 1.36	504	4.20 - 1.82

LUMEN PERFORMANCE

Row	Source	CCT	Lumen Values (Diffused Lens)			
			2Ft.	4Ft.	6Ft.	8Ft.
1 Row	S	3,000K	2580	5150	7730	10300
		4,000K	2630	5260	7890	10510
		5,000K	2660	5310	7970	10620
	H	3,000K	3720	7440	11170	14890
		4,000K	3800	7600	11400	15200
		5,000K	3840	7680	11510	15350
2 Row	S	3,000K	5150	10300	15450	20600
		4,000K	5260	10510	15770	21030
		5,000K	5310	10620	15930	21240
	H	3,000K	7440	14890	22330	29780
		4,000K	7600	15200	22790	30390
		5,000K	7680	15350	23030	30700
3 Row	S	3,000K	7730	15450	23180	30900
		4,000K	7890	15770	23660	31540
		5,000K	7970	15930	23900	31860
	H	3,000K	11170	22330	33500	44670
		4,000K	11400	22790	34190	45590
		5,000K	11510	23030	34540	46050
4 Row	S	3,000K	10300	20600	30900	41210
		4,000K	10510	21030	31540	42060
		5,000K	10620	21240	31860	42480
	H	3,000K	14890	29780	44670	59560
		4,000K	15200	30390	45590	60790
		5,000K	15350	30700	46050	61400



4ft. - 4 Row

Emergency Mode

CCT	Wattage (Max)	Lumens
3,000K	20	2,750
4,000K		2,810
5,000K		2,840



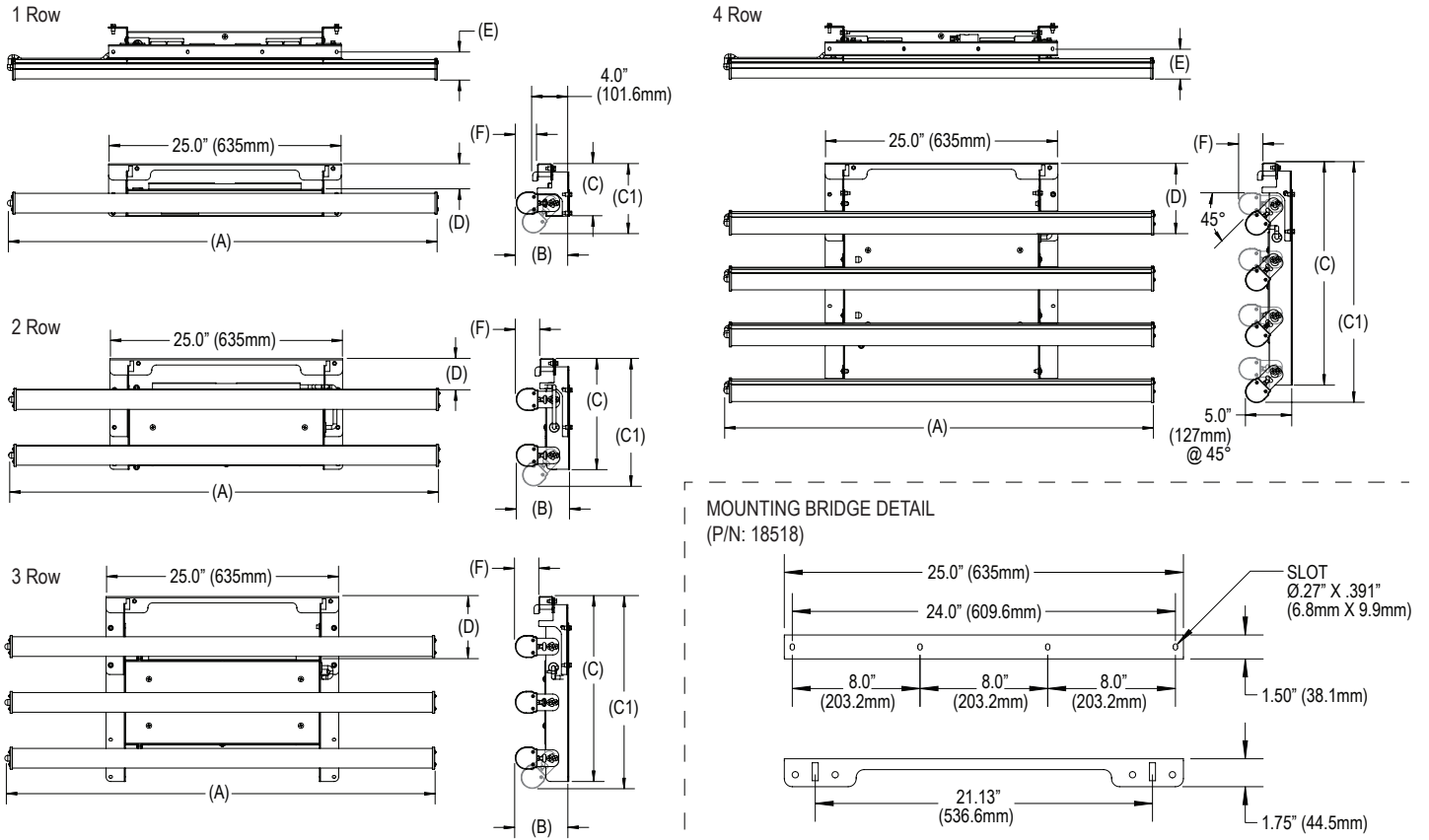


LE158H

ORDINARY LOCATION - HANGING MOUNT

Industrial • Booth Lighting • Task Lighting • Commercial & Institutional Facilities

DIMENSIONS



Fixture	# of rows	Nominal Dimensions in. (mm)							Weight (lbs.)*
		A	B	C	C1 (45°)	D	E	F	
2 Ft.	1	23.19" (589)	5.75" (146)	6.5" (165.1)	7.75" (196.9)	2.75" (69.9)	3.032" (77)	2.282" (58)	9
	2			12.25" (311.1)	13.75" (349.3)	3.75" (95.3)			14
	3			19.88" (504.8)	20.75" (527.1)	6.88" (174.6)			19
	4			23.88" (606.4)	24.75" (628.7)	7.75" (196.9)			23
4 Ft.	1	46.38" (1,178)	5.75" (146)	6.5" (165.1)	7.75" (196.9)	2.75" (69.9)	3.032" (77)	2.282" (58)	14
	2			12.25" (311.1)	13.75" (349.3)	3.75" (95.3)			21
	3			19.88" (504.8)	20.75" (527.1)	6.88" (174.6)			28
	4			23.88" (606.4)	24.75" (628.7)	7.75" (196.9)			35
6 Ft.	1	69.56" (1,767)	6.0" (152)	9.0" (228.6)	10.88" (276.2)	2.75" (69.9)	2.706" (68.7)	1.956" (49.7)	21
	2			15.5" (393.7)	16.88" (428.6)	3.75" (95.3)			32
	3			20.5" (520.7)	21.88" (555.6)	6.88" (174.6)			42
	4			24.5" (622.3)	25.88" (657.2)	7.75" (196.9)			53
8 Ft.	1	91.0" (2,311)	6.0" (152)	9.0" (228.6)	10.88" (276.2)	2.75" (69.9)	2.706" (68.7)	1.956" (49.7)	30
	2			15.5" (393.7)	16.88" (428.6)	3.75" (95.3)			45
	3			20.5" (520.7)	21.88" (555.6)	6.88" (174.6)			60
	4			24.5" (622.3)	25.88" (657.2)	7.75" (196.9)			74

Note: "D" column dimension is the distance from mounting surface to the driver housing side. Reference for cable management spacing.

*approximate



LE158H


ORDINARY LOCATION - HANGING MOUNT


Industrial • Booth Lighting • Task Lighting • Commercial & Institutional Facilities




POWER / CABLING (NO CORD "BLANK")

Note: Mounting hardware not shown for illustration purposes

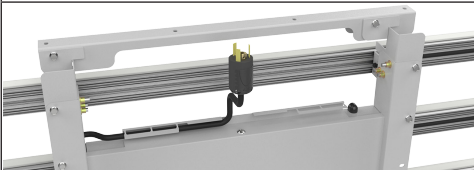


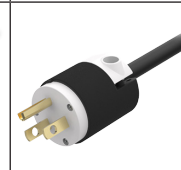
No Dimming / No Through-Feed

1/2" MC Set screw connector No Cord / Field Wiring Required

D1 (0-10V Dimming)

Field Wiring Required. Dimming cables ordered separately

POWER / CABLING (CPO CORD OPTION)

No Dimming / No Through-Feed

6 Ft. Cord (16/3), Blunt end

POWER / CABLING (CP1 TO CP3 CORD / PLUG OPTIONS)

CP1 - CP4 Cord	Cord: CP1	Cord: CP2	Cord: CP3
			
6 Ft. Cord (16/3) with CP1 to CP3 specified plug	NEMA L5-15	NEMA L7-15	NEMA 5-15

THROUGH FEED CABLE REQUIREMENTS

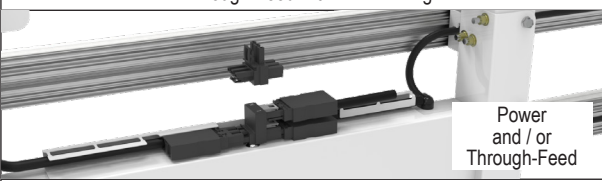
Power cables (to power the first fixture in the series when through feed is used)

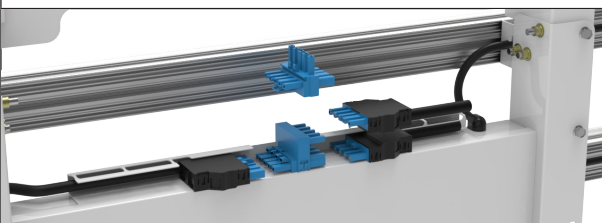
Mfg #	Cord #	Description
17055	CP1	6 Ft. Cable, 14/3, 120V NEMA L5-15
17103	CP2	6 Ft. Cable, 14/3, 277V NEMA L7-15
17104	CP3	6 Ft. Cable, 14/3, 120V NEMA 5-15

Power / Cabling Instructions for Through-Feed

Through-Feed cables are required to link fixtures. Each series of fixtures will require a power source (cord). Number of fixtures that can be linked is 4. All cables and connectors ordered separately. Consult sales for more information.

Through-Feed Cables (3-Pole)		Through-Feed Cables DALI	
Part #	Length	Part #	Length
17034-10	10 Ft.	15975	10 Ft.
17034-15	15 Ft.	16281	15 Ft.
17034-25	25 Ft.	15976	25 Ft.
17034-50	50 Ft.	15977	50 Ft.
17036	H Connector	15978	100 Ft.
17305	T Connector	16099	H Connector
		16217	T Connector

Through-Feed with D1 Dimming

Power and / or Through-Feed
12 in. Cord (16/3) with 3-Pole Plug H (17036) or T (17305) Connector required for each fixture

DALI

12 in. Cord - DALI cabling contains power and dimming in a single cable H (16099) or T (16217) Connector required for each fixture

0-10V Dimming Cables	
Part #	Length
16350	9.8 Ft. (3 M)
16349	16.4 Ft. (5 M)
14772	32.8 Ft. (10 M)
16348	49.2 Ft. (15 M)