



# INSTALLATION, OPERATION AND MAINTENANCE INSTRUCTIONS

## LE402 SERIES LED LIGHTING LUMINAIRE

### IMPORTANT SAFEGUARDS READ AND FOLLOW ALL SAFETY INSTRUCTIONS BEFORE INSTALLING THIS LUMINAIRE

- This luminaire should be installed by qualified technicians in strict accordance with the National Electric Code and any local requirements.
- To prevent risk of electric shock, deactivate/disconnect power supply before installing or servicing luminaire.
- Use conductors rated for 600V minimum, 90C
- To maximize longevity of the luminaire, do not mount near heat sources.
- The use of accessory equipment is not allowed for Hazardous Locations installations.
- This luminaire is designed for general lighting purposes. Do not use this luminaire for other than intended use.

### SAVE THESE INSTRUCTIONS

- 1) Before installing, check the luminaire label to ensure correct voltage, frequency, and operating temperature.  
Do not install where the marked operating temperature exceeds the ignition temperature of the hazardous atmospheres.
- 2) Wire luminaire through conduit hubs or stanchion/wall mount with provided conduit plugs. Plugs must engage at least 3 full threads.  
Flexible cord connected luminaires are supplied with 3' of power cord.  
Terminate all connections in a listed electrical box and in accordance with the National Electric Code or Canadian Electric Code.

NOTE: To maintain a watertight seal and prevent galling, all conduit connections are pre-lubed with the thread compound "Slickon GTS Gold" from Anti-Seize Technology.

NOTE: Conduit hubs are pre-lubricated with a non-hardening thread compound.

- 3) Refer to the following pages for typical luminaire mounting. When hardware is required for mounting, use minimum 1/4-20 hardware.

**Note: To ease installation**, remove driver housing casting from the luminaire.

Please refer to the following steps for driver housing removal & assembly:

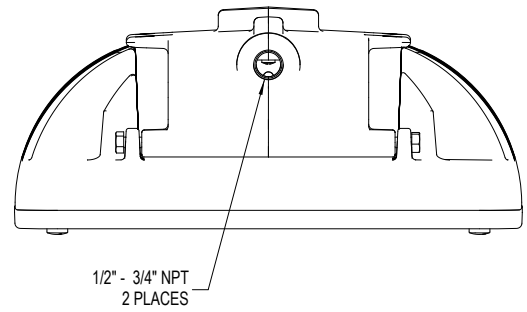
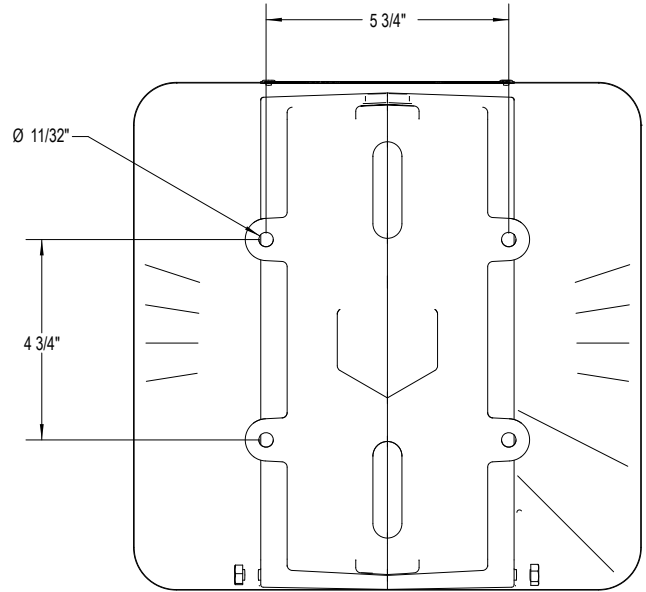
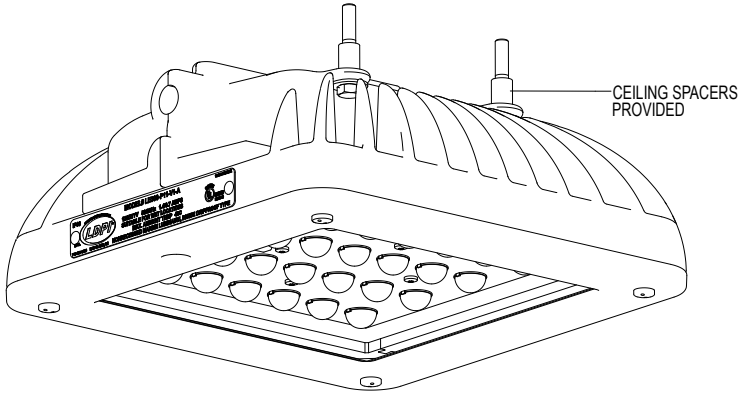
- Unscrew the captive 1/4" recessed fastener on the lens side of the luminaire to access the internal wiring (3/8" hex socket required).
- Unhook the black and red wires from the connectors. Refer to schematic on last page for reassembly.
- Note: for Pendant and stanchion mounts, it may be necessary to loosen/remove the LED driver to allow entry for power conductors. This is accomplished by loosening or removing the (2) #8 pan head screws that fasten the driver to the casting.
- Upon reassembly, the driver must sit flush against the casting.
- Remove the (2) 1/4" fasteners at the base (hinge) of the driver housing (7/16" hex socket required).
- Mount the driver housing as intended. When mounting is complete, assemble the luminaire by following the previous steps in reverse order.



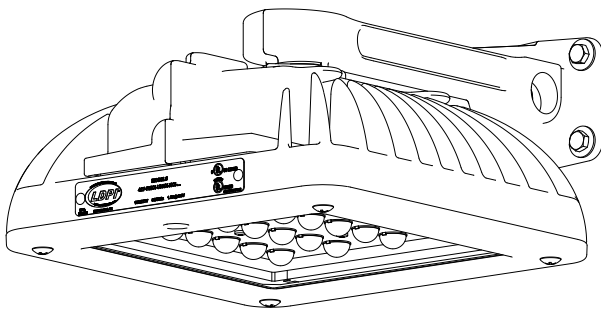
# LE402 SERIES MOUNTING OPTIONS

This luminaire is designed to be mounted in the orientations illustrated below.  
Mounting this luminaire other than what is illustrated below is not permitted for Hazardous Locations.

## CEILING MOUNT

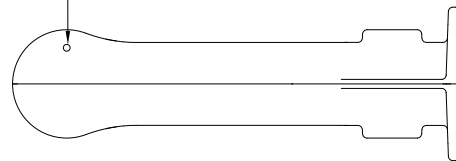


## WALL MOUNT



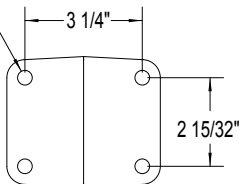
1/4" SET SCREW

WALL MOUNT HOLE DETAIL



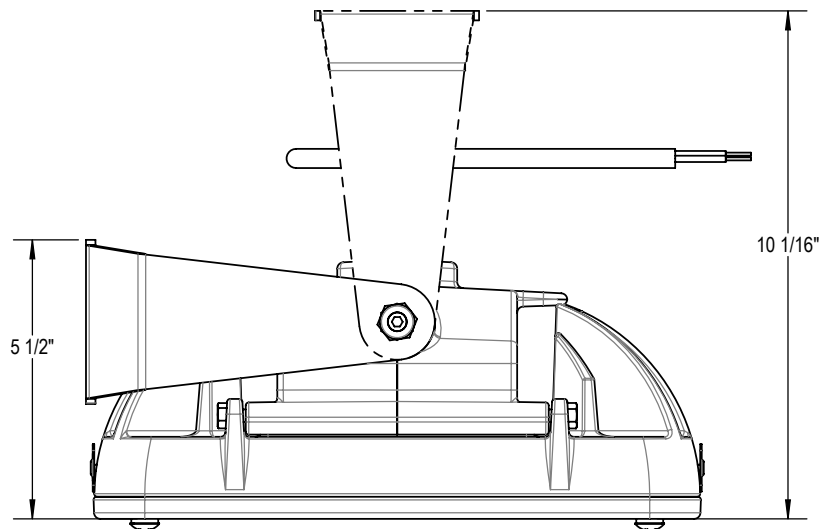
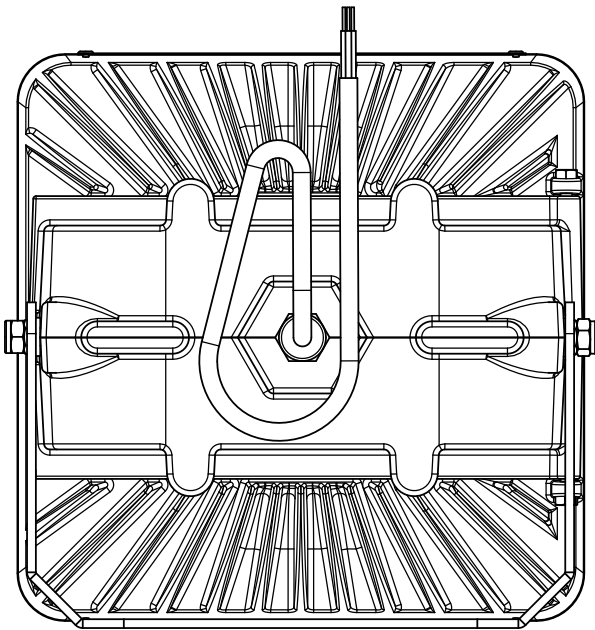
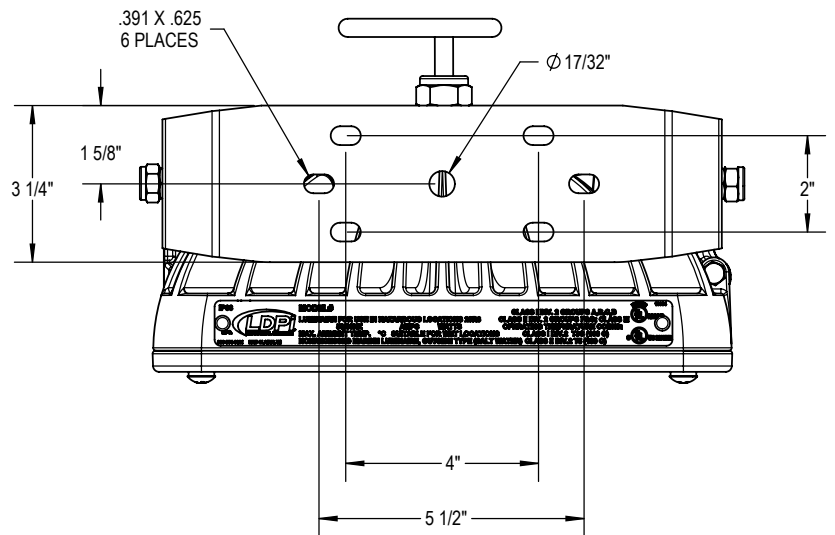
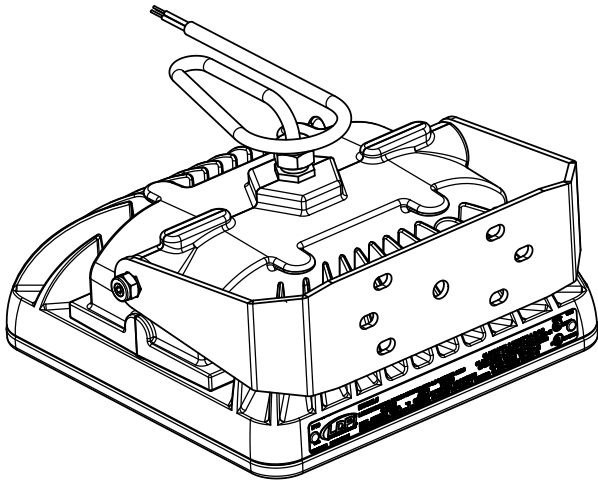
1" NPT  
2 PLACES

$\text{Ø } 13/32"$   
4 PLACES



Securely tighten set screws when desired luminaire orientation is achieved and the conduit connection is tight.

## YOKE MOUNT



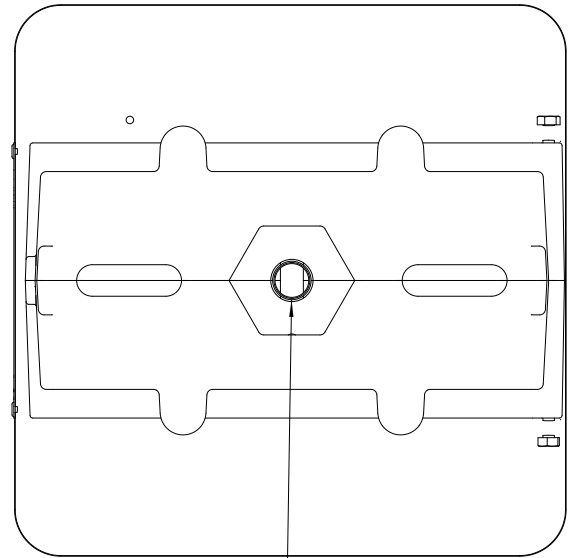
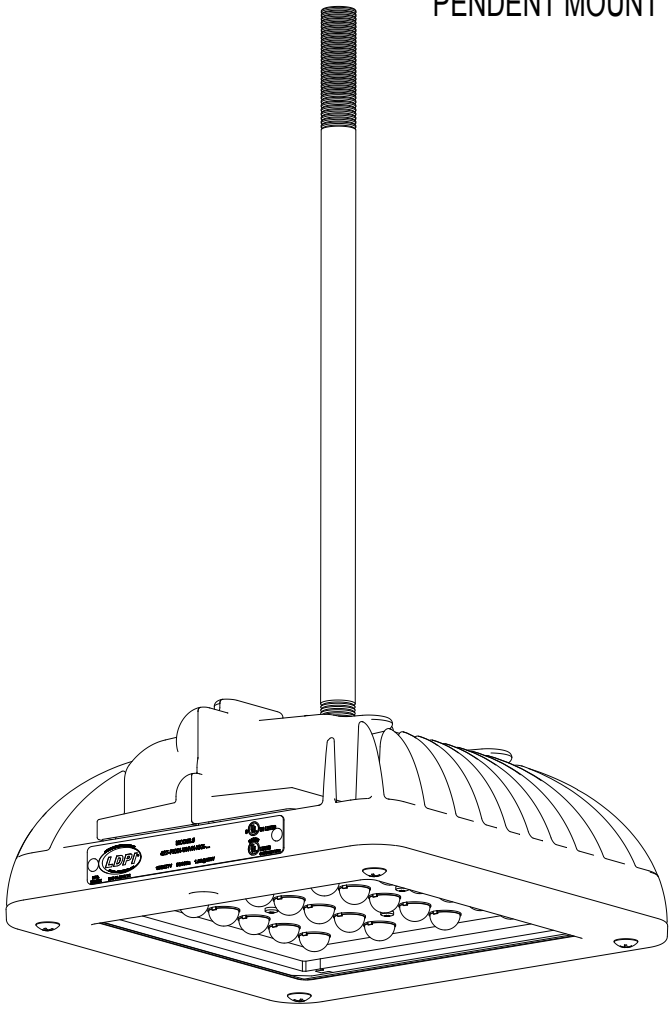
**NOTE:** It is not necessary to remove the yoke mount to install the luminaire. If removal of the yoke mount is required, remove the lock nut from each side of the yoke and flex the yoke bracket off of the Set Screw/Studs.

**DO NOT** attempt to remove the Set Screw/Studs! Removing the Set Screw/Studs will result in damage to the driver housing.

**NOTE:** Yoke Mounted luminaires are limited in range from the lens aiming at the floor to the lens perpendicular to the floor. The lens should never point up.

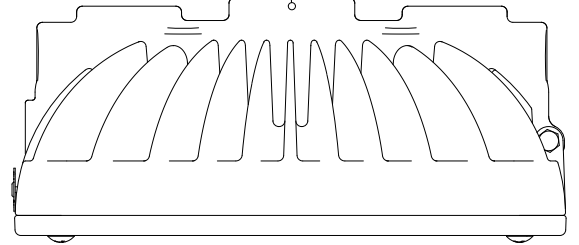
Securely tighten yoke mount fasteners when desired luminaire orientation is achieved.

## PENDENT MOUNT

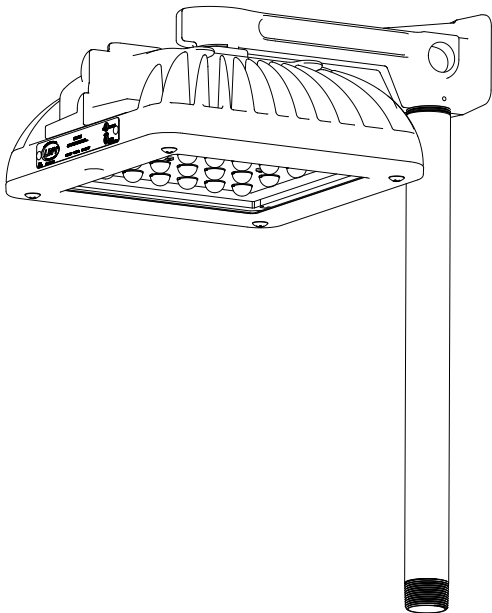


3/4" NPT

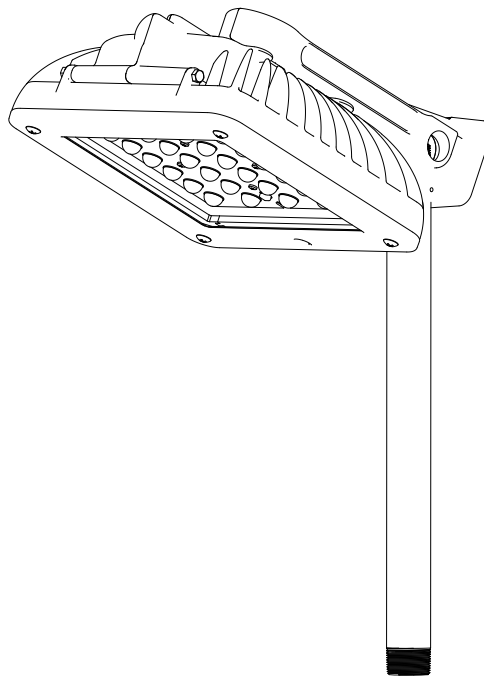
#8 SET SCREW



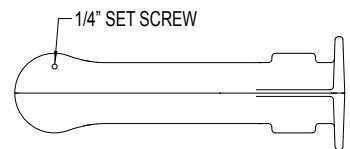
## STANCHION MOUNT



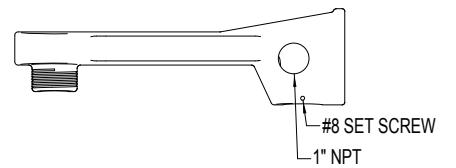
## 25° ANGLED STANCHION MOUNT



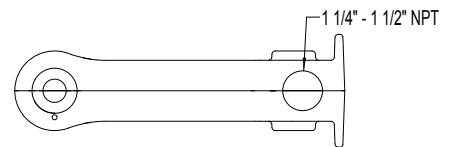
### STANCHION MOUNT HOLE DETAIL



1/4" SET SCREW



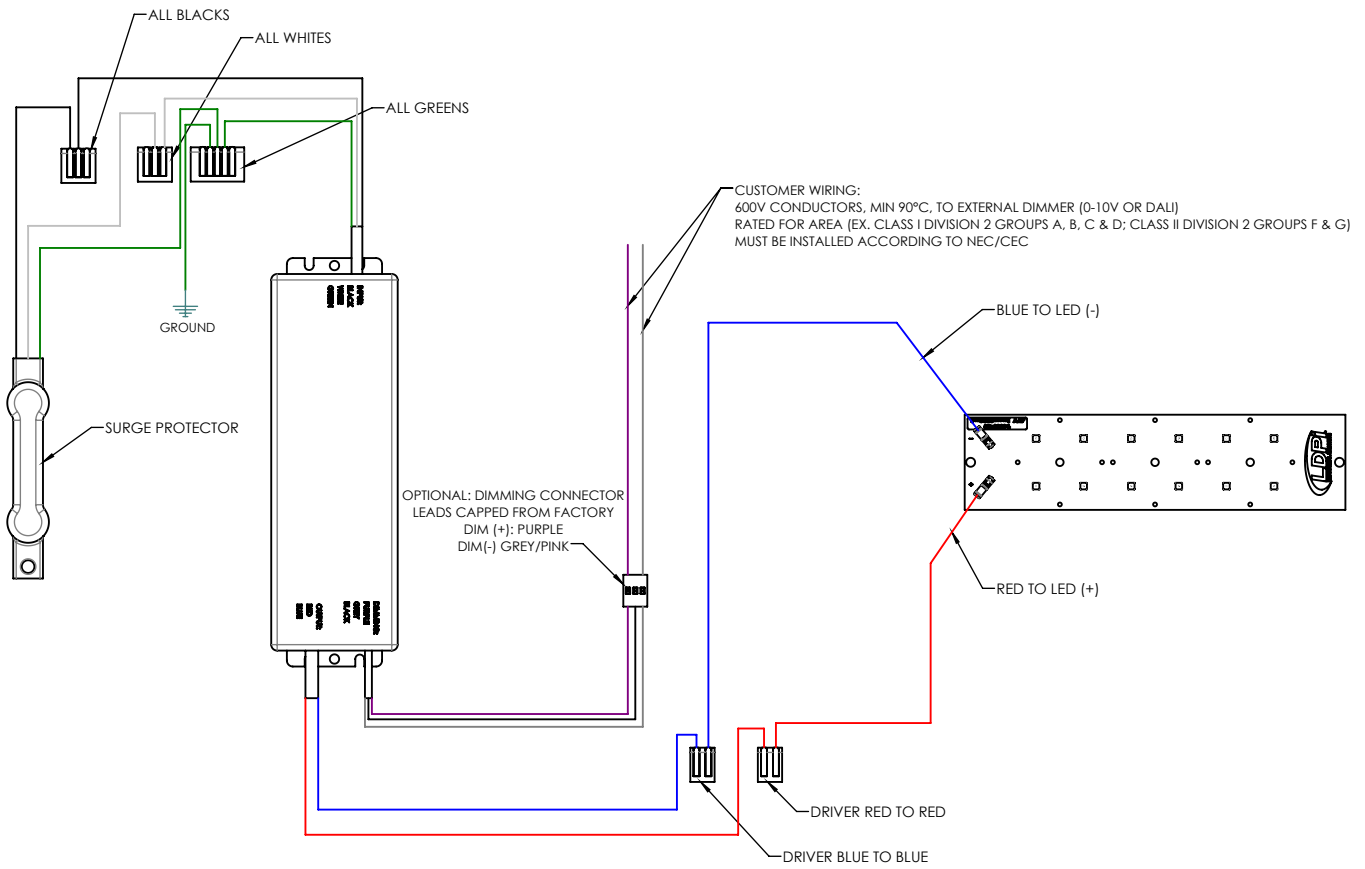
#8 SET SCREW  
1" NPT



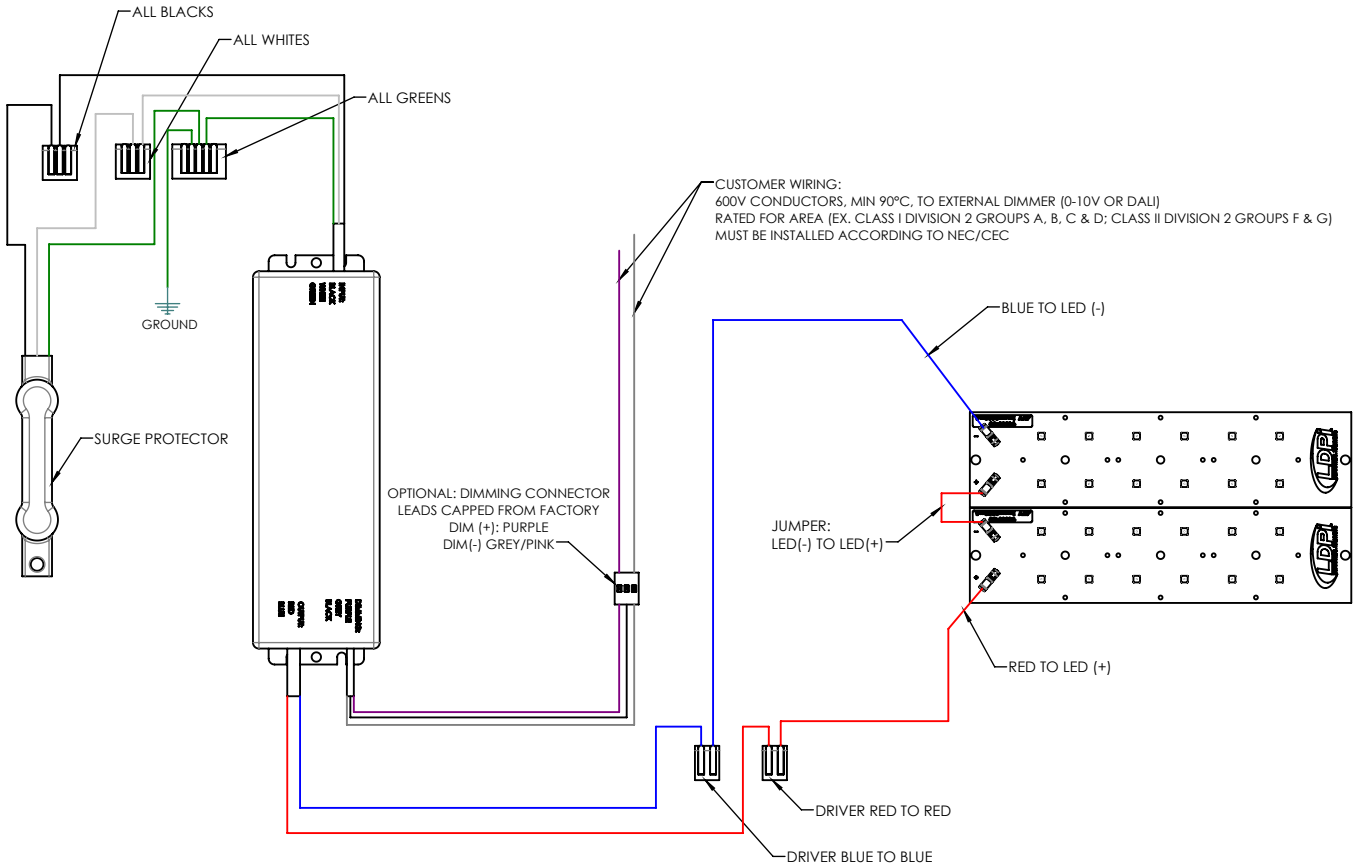
1 1/4" - 1 1/2" NPT

Securely tighten set screws when desired luminaire orientation is achieved and the conduit connection is tight.

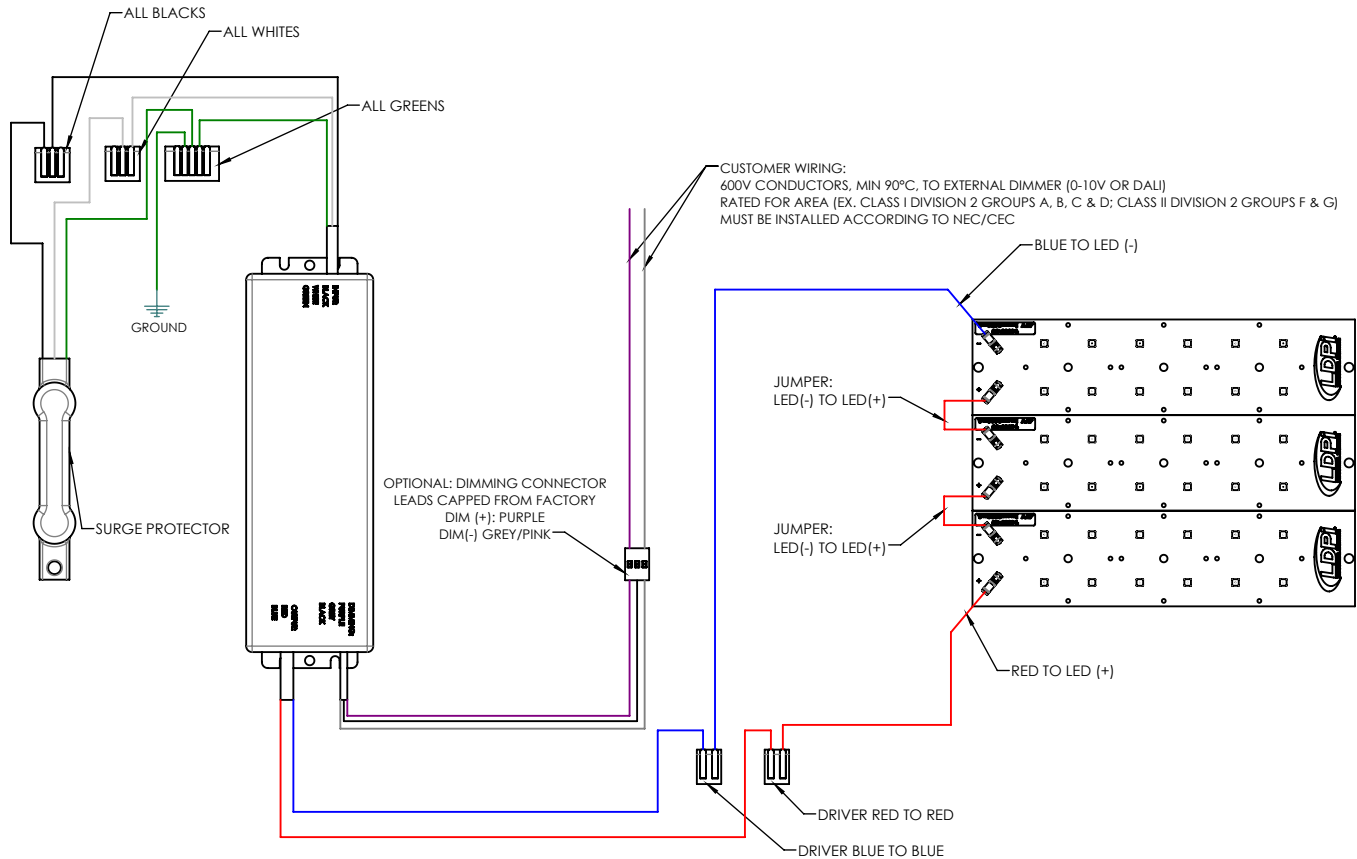
## LE402-L1 & L2 SCHEMATIC



## LE402-L3 SCHEMATIC



## LE402-L4 & L5 SCHEMATIC



## LE402 SERIES MAINTENANCE

Although no routine maintenance is required to keep this luminaire functional, it should be checked periodically to ensure that it is functioning properly, and to inspect for external damage.

For optimal performance and longevity:

- Keep luminaire free of debris and sediment build up.
- Keep light transmission lens clean. Refer to the following guide for recommended cleaning methods.

The following methods are to be only used with the lens assembly securely attached to the luminaire.

- Glass care: Rinse the lens with warm water and clean with a mild soap solution or commercially available glass cleaner and a lint free cloth; rinse well. To remove grease, oil and graffiti, use Isopropyl Alcohol or kerosene followed by the above soap solution sequence. Avoid cleaning the lens in direct sunlight.

In the event of lens breakage, it will be necessary to replace the entire lens assembly.  
Contact the factory for replacement details.