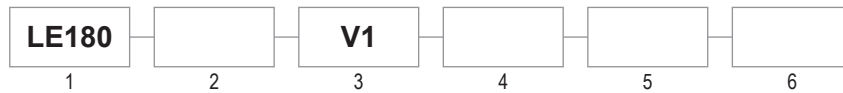


The LE180 Series is a line of LED Open Industrial luminaires. It can be used in dry or damp ordinary location applications. These luminaires can be mounted vertically, horizontally, surface mounted, or hung.



1 SERIES	2 SOURCE	3 VOLTAGE	4 CCT	5 OPTIC	6 OPTIONS
LE180	L1: 53W L2: 75W	V1: 120-277VAC (50/60Hz)	4: 4,000K 5: 5,000K	Blank: None D: Diffused	SP: Surge Protection EM: Battery/Driver Backup (90min.) D1: 0-10V Dimming* CP: 6 Ft. Blunt End Cord CP1: 6 Ft. Cord w/120V Twist Lock Plug CP2: 6 Ft. Cord w/277V Twist Lock Plug CP3: 6 Ft. Cord w/120V Straight Blade Plug SM: Surface Mount Bracket
Note: 5 Ft. 14/3 wire whip - standard					* With cord option: M12 connector * Without cord option: 2nd box connector

CERTIFICATIONS

UL 1598 (Dry or Damp Locations)
CSA 22.2 No. 250.0
40°C Ambient Rating

CONSTRUCTION

Heavy-duty, open industrial fixture
Sturdy 20 gauge steel
Durable, white powder coat finish

FEATURES

Programmable Driver
Reduced installation time
CRI >80



LE180

ORDINARY LOCATION LED LIGHTING

Paint Booths (Non-Hazardous Locations) • Task • Industrial

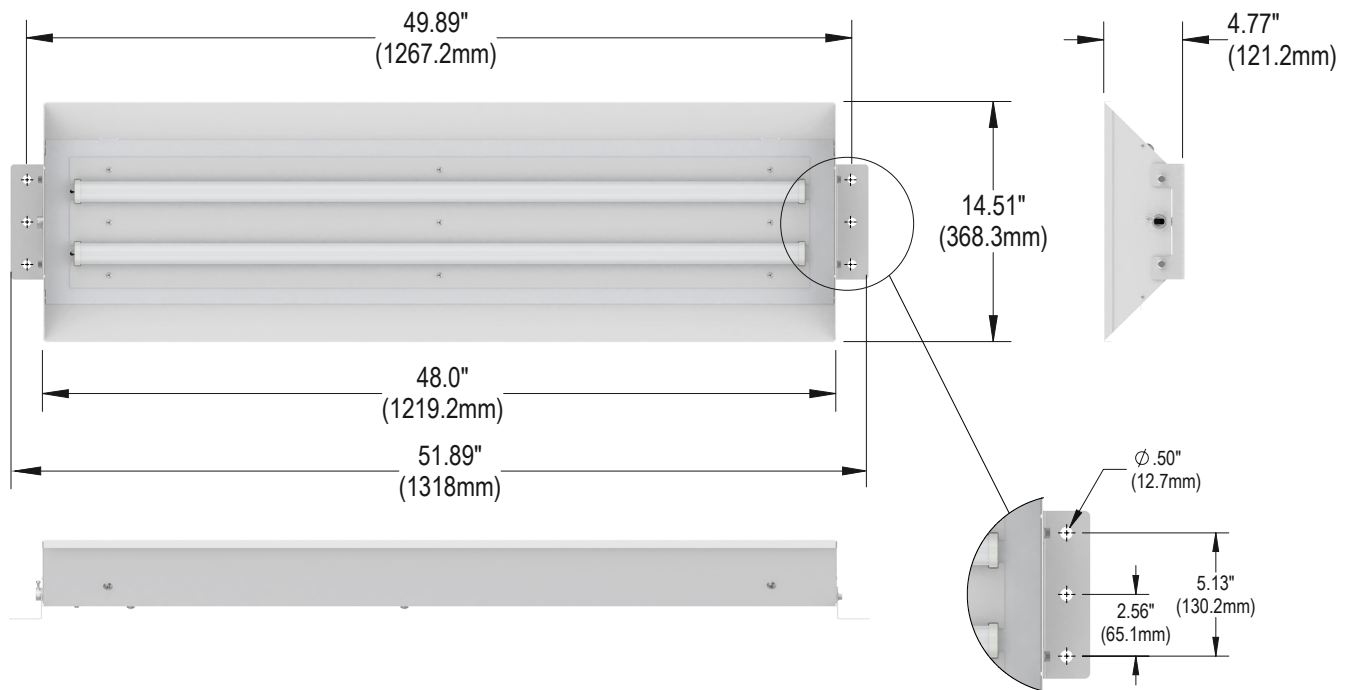


PERFORMANCE

Source	Wattage (W)	Input Voltage (VAC)	Input Current (A) @ 120V	Input Current (A) @ 277V	Output at 5,000K CCT	
					Lumen Output (Diffused Lens)	Lumen Output (No Lens)
L1	53	120-277V	0.44	0.19	6,640	8,120
L2	75		0.64	0.28	9,220	11,400

DIMENSIONS

Shown with optional (#SM) surface mount brackets. Purchased and installed separately



Shown with optional (#SM) mounting brackets. Purchased and installed separately

