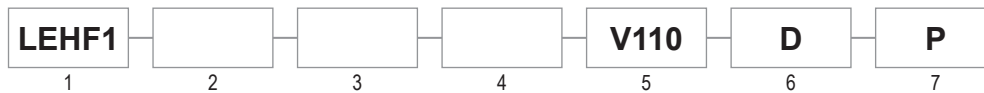
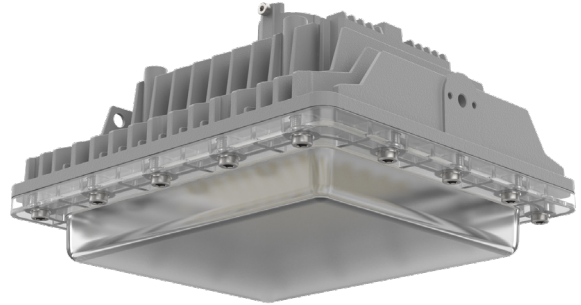


This highly efficient light fixture is ideal for replacing HPS or Metal Halide fixtures and requires less maintenance. With efficacy ratings up to 150 lm/watt, this fixture is the perfect solution for energy saving programs and cost reduction initiatives.



1 SERIES	2 SOURCE	3 VOLTAGE	4 CCT	5 OPTICS	6 LENS	7 MOUNT
LEHF1	L1: 21W L2: 40W L3: 50W* L4: 60W *L3: 347-480VAC Only	V1: 120-277VAC (50/60Hz) V2: 347-480VAC (50/60Hz)* *V2: 50W Only	27: 2,700K 4: 4,000K 5: 5,000K	V110: 110° Type V	D: Diffused Polycarbonate	P: Pendent 3/4" NPT
Notes: 1. Product comes standard with 10Kv surge protection built in and 3Ft. wire whip factory installed. (includes 0-10V dimming leads) 2. Additional mounting accessories are available. Purchased separately, field installed.						

CERTIFICATIONS

UL844 / CSA-C22.2 No.137 (Hazardous)
 CI D2, Grps A,B,C,D
 CII D1, Grps E,F,G
 CII D2, Grps F,G
 CIII
 Simultaneous Presence
 T Codes: See T-Code information table
 UL1598 / CSA-C22.2 No.250 (Wet/Damp)
 UL1598A (Marine Outside)
 -40°C to 65°C Ambient (L1-L3)
 -40°C to 64°C Ambient (L4)
 IP66, IP67 & IK10
 CRI>70
 Lumen Maintenance (L70) >60,000 hrs. (reported)
 FCC

CONSTRUCTION

Copper-free cast aluminum housing
 Polycarbonate lens with stainless steel guard
 Powder coat gray
 Single 3/4" NPT Hub
 Weight: 8 lbs.
 All exposed fasteners are stainless steel

ELECTRICAL

120-277 / 347-480VAC
 0-10V Dimming (Leads capped inside driver housing)
 10Kv surge protector built in - Standard
 3Ft. Wire Whip - Standard, Factory Installed

FEATURES

High Lumen output up to 150 Lm/W
 Shock and vibration resistant
 Anti-corrosion housing tested 1,000 hrs.
 Thermal shock and impact resistant lens
 Mounting: Wall(Flood), Pole, Ceiling, Yoke & Pendent
 5 Year Warranty

PERFORMANCE

Source	Voltage (VAC) 50/60Hz	Input Current (A)	Wattage (W)	CCT	Lumens* (Lm)
L1	120-277	.18 - .08	21	2,700K	2970
				4,000K	3095
				5,000K	3190
L2	120-277	.33 - .14	40	2,700K	5550
				4,000K	5770
				5,000K	5955
L3	347-480	.14 - .10	50	2,700K	6520
				4,000K	6810
				5,000K	6780
L4	120-277	.50 - .21	60	2,700K	7400
				4,000K	7700
				5,000K	8215

*Nominal values

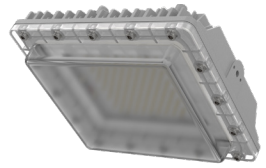
T-Code Information

	Source	L1: 21W	L2: 40W	L3: 50W	L4: 60W
Ambeint Operating Temp.		-40° - 65°C			64°C
Optimal Operating Temp.		25°C			
	CID2	T4A	T4	T4A	T4
	CIID1	T6	T6	T6	T5

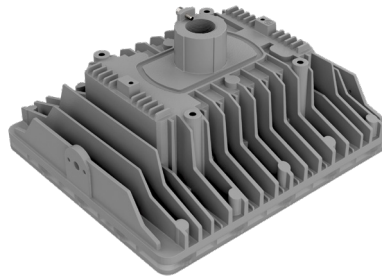
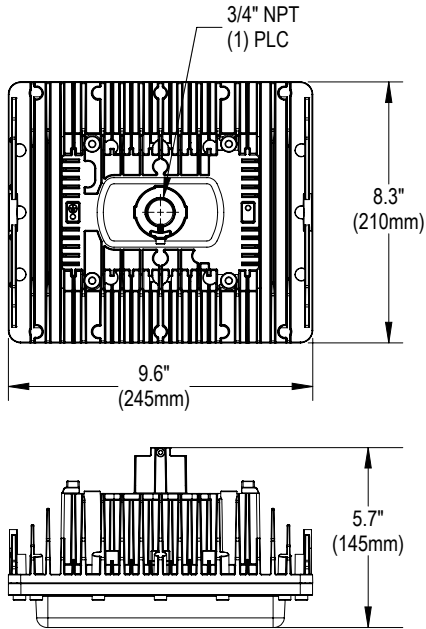
LEHF1

HAZARDOUS LOCATION

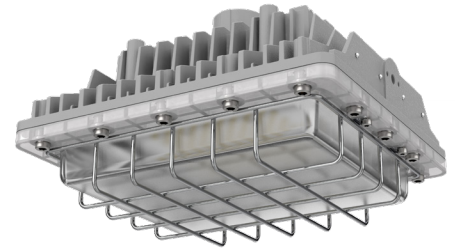
Chemical Processing • Grain Processing • Metals & Mining • Oil / Gas • Water Treatment



DIMENSIONS



Pendant Mount
3/4" NPT



Pendant Mount + WG05 (Wire Guard)

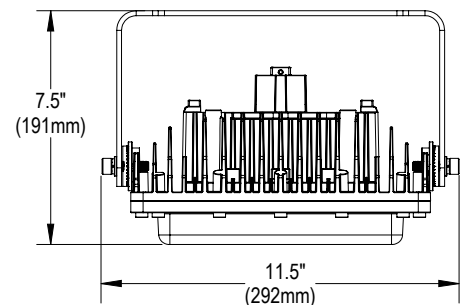
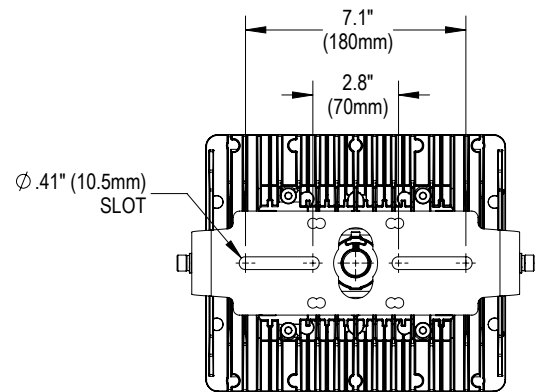
ACCESSORIES - Field Installed (Order Separately)		
Part Number	Description	
WG05	Wire Guard Kit (Stainless Steel)	
PB02	Yoke Mount Kit (Yoke Adjustable)	



Yoke Mount Kit
#PB02

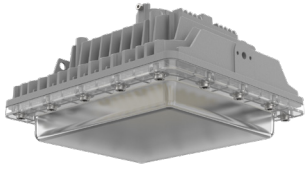


PB02 + WG05
(Yoke Mount + Wire Guard)



1-800-854-0021 www.ldpi-inc.com
LDPI® is a registered trademark of LDPI, Inc. © LDPI, Inc.

Product design and specifications subject to change without notice.
Visit www.ldpi-inc.com for the most current version and photometric data. v.03.26.26

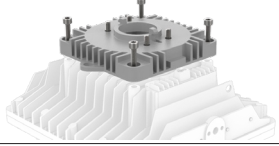


LEHF1


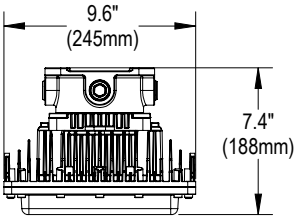
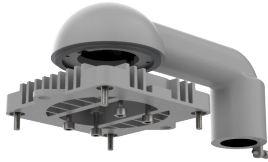
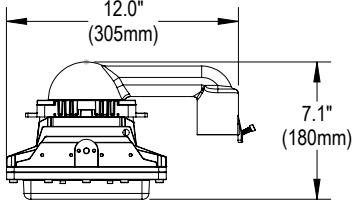

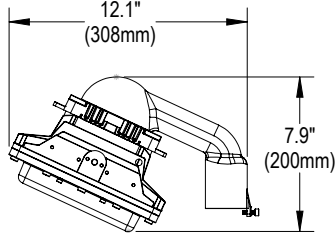
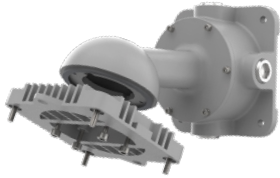
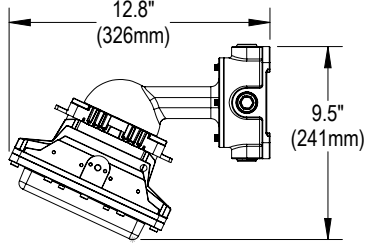
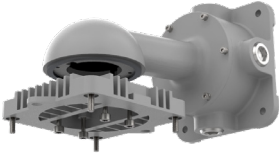
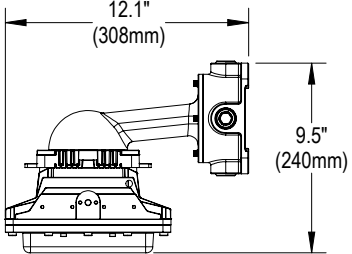
HAZARDOUS LOCATION

Chemical Processing • Grain Processing • Metals & Mining • Oil / Gas • Water Treatment

ALTERNATIVE MOUNTING ADAPTERS - FIELD INSTALLED (ORDERED SEPARATELY)

Part Number	Description	
AD01	Adapter Kit	

Note:
All alternative mounting configurations below require the #AD01 Adapter Kit

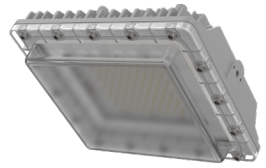
Part Number	Description	Assembly	Dimension
JB01	Ceiling Mount / Junction Box (3/4" NPT) Grey Painted, A356 Aluminum		
SN9001	Stanchion Mount - 90° (1-1/4" NPT) Grey Painted, A356 Aluminum		
SN9002	Stanchion Mount-90° (1-1/2" NPT) Grey Painted, A356 Aluminum		
SN2501	Stanchion Mount - 25° (1-1/4" NPT) Grey Painted, A356 Aluminum		
SN2502	Stanchion Mount - 25° (1-1/2" NPT) Grey Painted, A356 Aluminum		
WL25	Wall Mount - 25° (3/4" NPT) Grey Painted, A356 Aluminum		
WL90	Wall Mount - 90° (3/4" NPT) Grey Painted, A356 Aluminum		



LEHF1

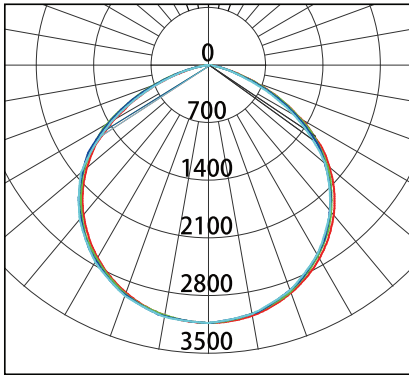
HAZARDOUS LOCATION

Chemical Processing • Grain Processing • Metals & Mining • Oil / Gas • Water Treatment

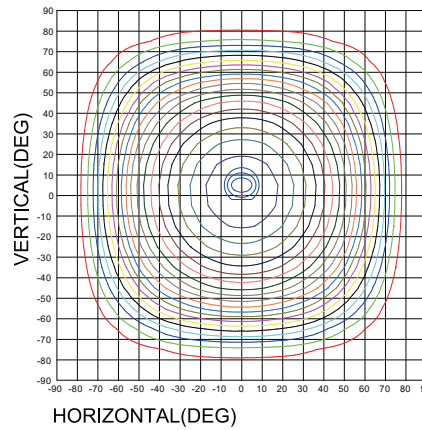


PHOTOMETRICS

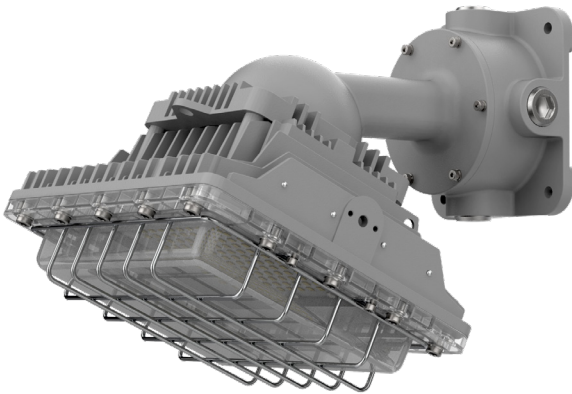
LEHF1 with Type V 110° Optic



- C0/180, 112.5
- C30/210, 113.7
- C60/240, 112.9
- C90/270, 111.4



Illumination - Type V Optic (110°)		
6.6	19.7	46
13.1	39.4	11
19.7	59.4	5
26.2	79.1	3
32.8	99.1	2
Height (ft.)	Diameter (ft.)	Foot Candle (fc) average



Shown with WG05, AD01 & WL25
(Wire Guard + Adapter + 25° Wall Mount)



Shown with WG05, AD01 & SN2501
(Wire Guard + Adapter + 25° 1-1/4" Stanchion Mount)
(Pole shown for illustration purposes only)